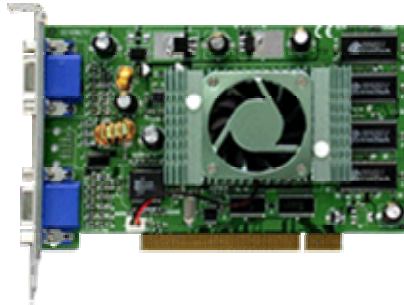


# Jaton Nvidia GeForce 4 MX440 64MB PCI Video Card

Video-158PCI-64Twin

## **SPECIFICATION**



- > [High Performance & High Quality 3D Acceleration](#)
- > [Display Memory Interface](#)
- > [MPEG-2/1 Video Decoder](#)
- > [Alternative Bracket Optional](#)
- > [PCB Physical Dimension](#)
- > [OS Support](#)

[Overview](#) 

## **High Performance & High Quality 3D Acceleration**

### **Second Generation GPU**

- Second generation transform and lighting (T&L) engine
- Integrated Dual-Link TMDS transmitters
- nVIDIA Shading Rasterizer (NSR)
- High-Definition Video Processor (HDVP)
- 64 MB DDR or SDRAM memory
- 32-bit color, 32-bit Z/stencil buffer
- 4 texels per clock
- 256-bit graphics architecture
- 2 dual 128-bit pixel pipelines rendering
- Dual Cube environment mapping
- DirectX texture compression

### **Display Memory Interface**

Mentioned Above.

### **MPEG-2/1 Video Decoder**

- MPEG video playback support
- High-Definition Video Processor (HDVP) for full-screen, video playback of HDTV and DVD resolutions
- Independent hardware color controls for video overlay
- Hardware color space conversion (YUV 4:2:2 and 4:2:0)

### **Alternative Bracket Optional**

Mentioned Below.

## PCB Physical Dimension

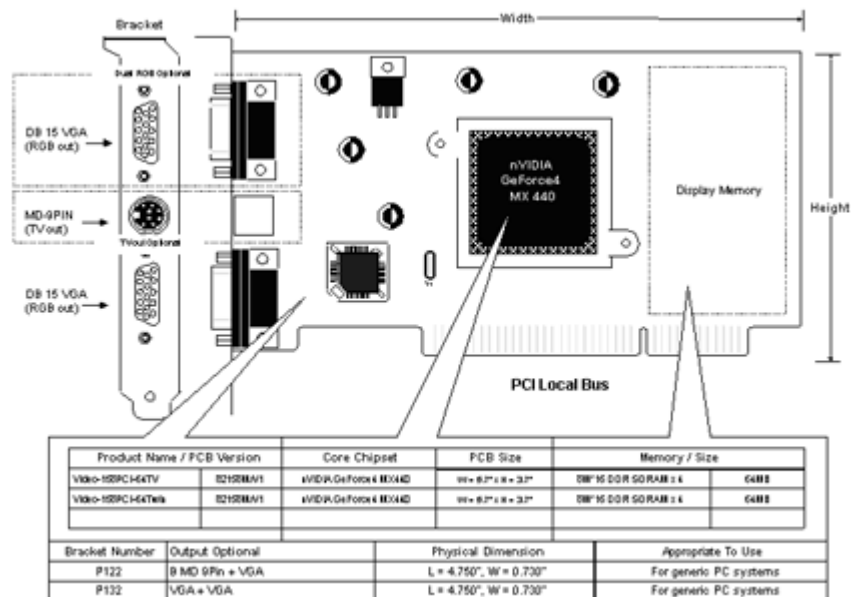
### Performance

- Up to 1.1 billion AA sample per second fill rate
- API support - DirectX 8.1 and lower
- Up to 6.4 GB/sec memory bandwidth
- 64 MB frame buffer size
- Maximum 3D/2D resolution of 2048x1536@75Hz
- Supports RGB / TV output optional display

### OS Support

- nVIDIA Unified Driver Architecture
- Industry's first fully compliant professional OpenGL 1.3 support for Windows® operating systems
- WHQL-certified Windows 2000, Windows NT® 4.0, Windows 98

### PCB Layout Diagram



### Output Devices Connection Diagram

